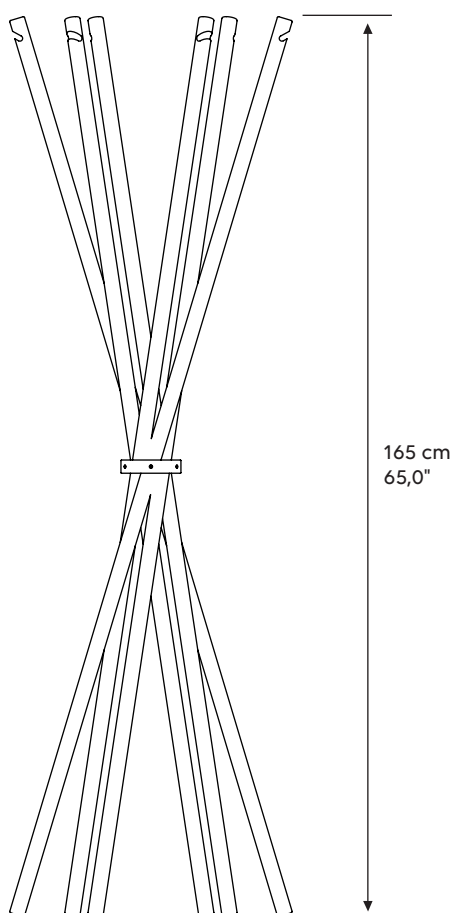
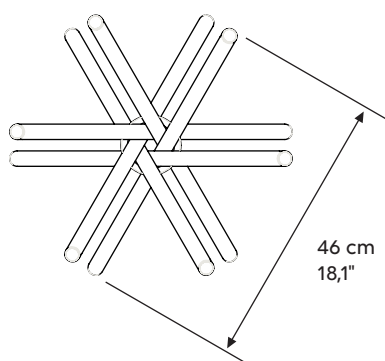


## COAT hat and coat stand

Designed by  
Ulrik Nordentoft

### Description

A minimalist and expressive coat rack built by six poles held by a metal ring. COAT can be set up with the notch facing inwards or outwards - as you prefer. COAT is easy to unfold for storage. And fold back again and to place where you need it.



### Dimension

Ø: 46 cm, H: 165 cm (unfolded)

### Weight item

4,5 kg

### Number of parcels

1

### Packaging type

Assembled in tube

### Packaging measurement

Ø: 12,5 cm, H: 174 cm

### Weight packaging - total

6kg

### Materials

Ring



SATIN BLACK



POLISHED ALUMINIUM



BRASS

Structure



BLACK LACQURED ASH



WHITE OILED ASH

### Maintenance/care instructions

The rings should only be polished with a wringed clean cloth with lukewarm water. The ash is treated with natural oil. Secondary treatment with oil counteracts drying of the wood and regular application is recommended.