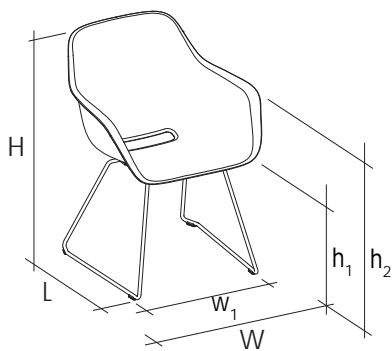


captain's chair

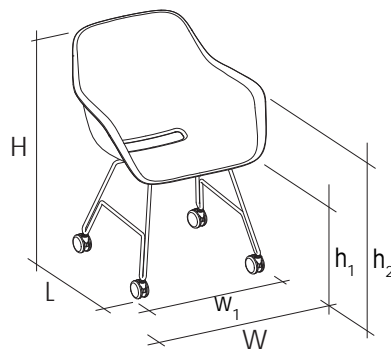
technical sheet

The content of this document, in particular the mentioned models, is protected by copyrights and/or design rights. The present document and its content is communicated to you for information purposes only. Any partial or total reproduction or any other use without our prior written permission is strictly prohibited. This technical sheet remains subject to possible changes. All dimensions are in mm, unless mentioned otherwise. Extremis is not responsible for the errors in the documentation of products. All measurements are approximate and are provided for informational purposes only.

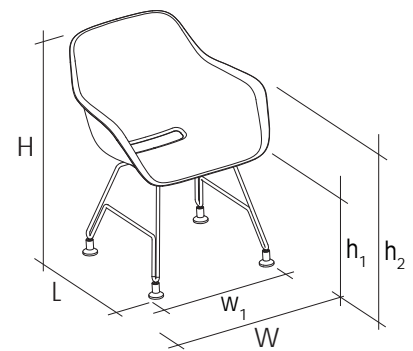
version 20130619



captain's sliding chair

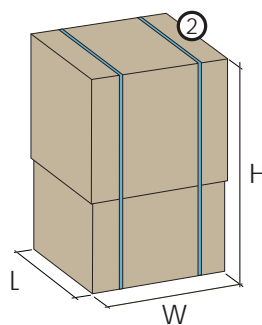
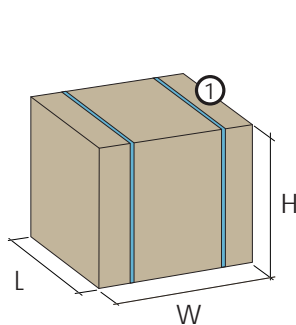


captain's rolling chair



captain's paw chair

product dimensions (mm)	L	W	H	w ₁	h ₁	h ₂
captain's sliding chair	540	630	815	546	440	655
captain's rolling chair	520	630	815	500	440	655
captain's paw chair	505	630	800	505	425	640



	net weight (kg)
captain's sliding chair (1 pc)	7,50
captain's rolling chair (1 pc)	7,70
captain's paw chair (1 pc)	7,70

box dimensions (mm)	L	W	H	qty (#)	volume (m ³)	gross weight (kg)	net weight (kg)	packaging weight (kg)	
captain's sliding chair	box 1 (max 8 shells)	735	660	630	1	0,31	34,00	32,00	2,00
	box 2 (max 8 frames)	590	650	560	1	0,21	30,60	28,00	2,60
	<i>total</i>					<i>0,52</i>	<i>64,60</i>	<i>60,00</i>	<i>4,60</i>
captain's rolling chair	box 1 (max 8 shells)	735	660	630	1	0,31	34,00	32,00	2,00
	box 2 (max 8 frames)	590	650	560	1	0,21	32,20	29,60	2,60
	<i>total</i>					<i>0,52</i>	<i>64,20</i>	<i>61,60</i>	<i>4,60</i>
captain's paw chair	box 1 (max 8 shells)	735	660	630	1	0,31	34,00	32,00	2,00
	box 2 (max 8 frames)	590	650	560	1	0,21	32,20	29,60	2,60
	<i>total</i>					<i>0,52</i>	<i>64,20</i>	<i>61,60</i>	<i>4,60</i>

APPLICATIONS

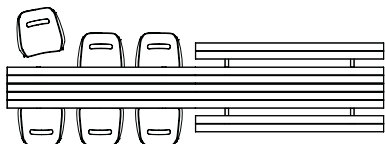
OUTDOOR

Private: on terraces, patios
Public: hotel and catering industry,
company terraces, public
squares, ...

INDOOR

Private: dining table, desk, ...
Public: hotel, restaurant, meeting room,
bar, lounge, office, ...

Captain's Chairs can be used in
combination with Marina Tables.



INSTRUCTIONS

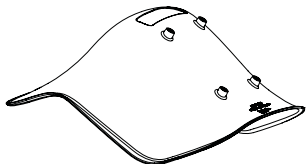


Do not use power tools to assemble
your Marina Picknick table.

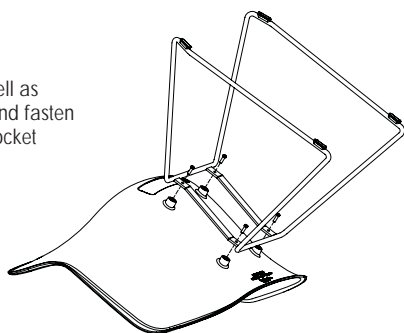
Only to be mounted with a hexagon
socket wrench no. 4.

ASSEMBLY CHAIR

1. Put the shell upside down on a
soft surface with the opening facing
backwards so that you do not
damage the shell.



2. Position the frame on the shell as
shown in the figure above and fasten
it by means of 4 hexagon socket
bolts M6 x 16.



WARNING

Stains should be removed immediately
with a clean, soft cloth, particularly in
case of dark-coloured liquids such as
wine, ink, coffee, coke, oil, etc.

If left to dry, these liquids may cause
permanent damage!



LOW TRANSPORT VOLUME

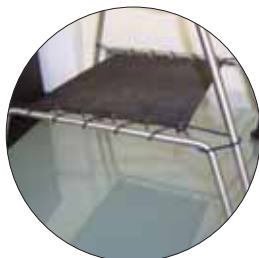
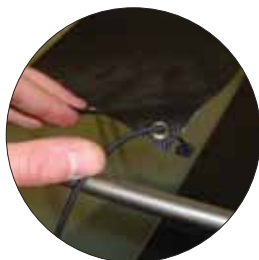
Because the shells and frames are
stackable, they do not take a lot of
transport volume.

There are maximum 8 shells per box:
→ 0,27 m³

There are maximum 8 frames per box:
→ 0,21 m³

ASSEMBLY STORAGE NET

1. Take one of the rubber elastics and
make a knot at one of the ends.
2. Now put the other end through the
first hole of the net, make sure the
knot is at the bottom.
3. Go around the bar of the frame and
make sure you go twice through the
first hole of the storage net.
4. Now go once around the bar and
the hole until you reach the last hole.
5. Go again two times through the last
hole and make a knot at the end.
6. Repeat these actions for the other
side.



F.A.Q.

Q: Is the chair weatherproof?

A: Yes. The shell and the frame of the Captain's Chair are made of durable, UV-
& water proof materials. The shape of the shell makes sure water can
evacuate easily.
The cushions however should be stored inside.

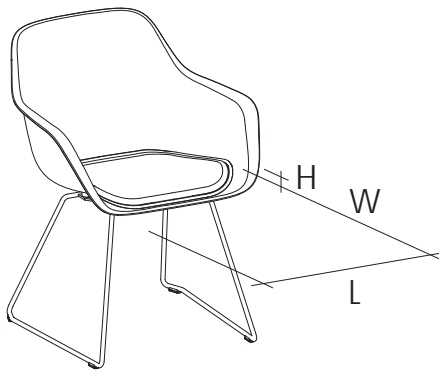
HOW TO USE

Just sit & drink and have a good time!

MAINTENANCE

Check: www.extremis.be/products/captains-chair

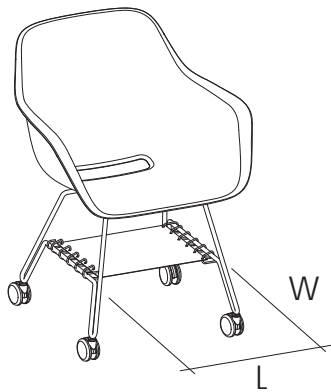
OPTIONAL CUSHION



product dimensions (mm)	L	W	H
cushion	460	445	20

The cushions are delivered inside the box of the shell.

OPTIONAL STORAGE NET



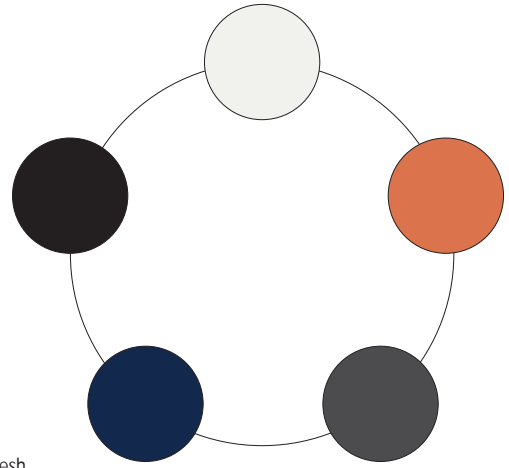
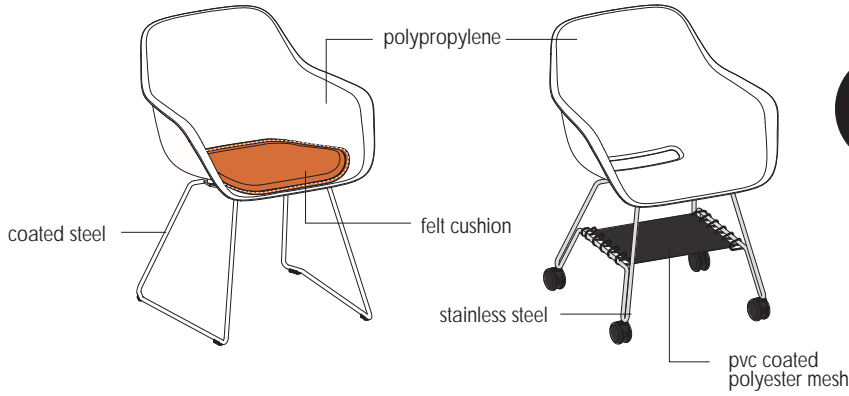
product dimensions (mm)	L	W	H
storage net	410	280	10






The storage net is delivered inside the box of the shell.



MATERIALS

cushion colour options:



materials	key facts	thickness mm	layer thickness micron	density 10 ³ kg/m ³	in/out- door	water	UV colour fastness	flame retarding
 Polypropylene	- reinforced polypropylene (17% fibre glass)	7	n.a.	0,9	outdoor & indoor	n.a.	very good UV resistance	n.a.
 Powder coated steel	- easy to clean - cold galvanised, then powder coated	12	20	7,8	outdoor & indoor	n.a.	very good: colour can fade a little bit when exposed to UV	NEN-EN13501-1 A1*
 Stainless steel	- high rusting resistance - periodical maintenance	12	n.a.	8,0	outdoor & indoor	n.a.	very good	NEN-EN13501-1 A1*
 Felt cushion	- reinforced wool fill - polyester fibre spring filling - 100 000 martindale*** - pilling**** = 4 (scale 1-5)	20	n.a.	n.a.	store indoors	n.a.	5-6 light fastness (scale 1-8)	ISO 8191 ignition source 0 1
 Pvc coated polyester mesh	- extremely strong - exceptional tear strength - excellent UV-resistance - robust - 100% recyclable	0,7	n.a.	0,59	outdoor & indoor	n.a.	≥ 7 (QUVTEST T30-036 lamp UVA 340)	DIN 4102 - B2/M2**

* NEN-EN13501-1 A1: Class A1 products will not contribute in any stage of the fire including the fully developed fire. For that reason they are assumed to be capable of satisfying automatically all requirements of all lower classes.

** DIN 4102 - B2/M2: Kleinbrenner: Class B2: All materials used in buildings in Germany need to meet the B2 requirement which is determined using a small flame test.

*** Martindale: Martindale Rub Test results are used to check fabrics for their durability and suitability for various uses such as domestic furniture and contract furniture. The test gives a score in 1,000's of „cycles“ or „rubs“. Domestic fabrics often have a rating of 20,000 rubs. Generally, the higher the Martindale Score the more suitable the fabric for heavy usage.

**** Pilling: Pilling and other changes in surface appearance that occur in normal wear are simulated on a laboratory testing machine. Fabric samples are washed or dry cleaned. Depending on expected refurbishment, followed by controlled rubbing against an elastomeric pad having specifically selected mechanical properties (ASTM D 3514/D 3514M-10). The degree of fabric pilling is then evaluated against standards on an arbitrary scale ranging from 5 (indicating no pilling) to 1 (indicating very severe pilling).

ASTM D 3514/D 3514M-10, Standard Test Method for Pilling Resistance and Other Related Surface Changes of Textile Fabrics: Elastometric Pad.

