

Juliette

Hannes Wettstein | 1987

De Projectinrichter

www.deprojectinrichter.com
088 - 650 12 34



This “supersleek” creation seemingly made out of air and a clever idea is surprisingly comfortable.

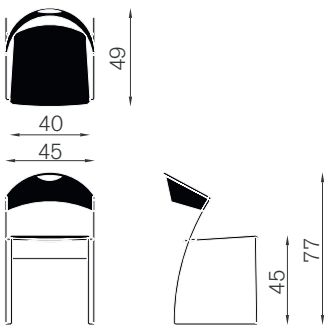
One day, from out of the frenetic turmoil of Wettstein's design activity, there emerged the idea of a chair; defying all known logic, the structure of the back, curved forwards. With this idea as basic condition of the design the form was translated into function. During the revision of the project for industrial production, the back also became the arm and the chair was transformed into a small armchair.

Materials:

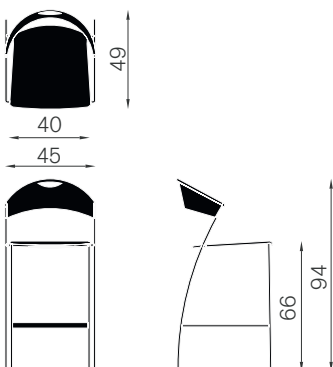
Structure: steel rod painted with epoxy powders

Seat and seatback: moulded sheet metal painted

hw601
stackable chair



hw608
kitchen stool



hw609
bar stool

