



NEW

KAPSA

Modularity and minimalism combined

KAPSA's classical, reduced lines make it a power strip that is both design-orientated and space-saving – designed for the kitchen, office and many other areas.

The cover – which can be flipped open and interchanged – provides protection against external influences and is available in several versions. Three-way, modular equipment options, thereby allowing flexible configuration.

Installation from above guarantees simple mounting – also optionally available as a retrofitted solution. A low installation depth of approx. 45 mm and a solid design characterise KAPSA and confirm the well-worn saying: less is more.

The benefits at a glance

- Easily interchangeable cover available in various versions
- Three-way, modular equipment options
- Aluminium cover with high-quality feel
- Low installation depth (approx. 45 mm)
- Simple mounting from above, retrofitting possible too

KAPSA power strips

NEW

KAPSA; 3-way: Power socket outlets Length: approx. 204 mm

Aluminium profile, anodised, power input 2.0 m cable with end sleeves and mounting plug, black		
927.000	· 3 x socket outlets with earthing contact, shuttered, black, set at 35°	
927.003	· 3 x UTE/French socket outlets, shuttered, black, set at 35°	
927.006	· 3 x UK socket outlets, shuttered, black, set at 90° , with mounted mounting plug (13A)	
927.009	· 3 x Swiss / CH T13 socket outlet incl. fuse, black, set at 0°	



KAPSA; 3-way: Power socket outlets + 1 x USB double charger (5.2 V/2.15 A) Length: approx. 204 mm **U**

Aluminium profile, anodised, power input 2.0 m cable with end sleeves and mounting plug, black		
927.001	· 2 x socket outlets with earthing contact, shuttered, black, set at 35°	
927.004	· 2 x UTE/French socket outlets, shuttered, black, set at 35°	
927.010	· 2 x Swiss / CH T13 socket outlet incl. fuse, black, set at 0°	



KAPSA; 3-way: Power socket outlets + 1 x USB double charger (5.2 V/2.15 A) + 1 x custom module Length: approx. 204 mm **U C**

Aluminium profile, anodised, power input 2.0 m cable with end sleeves and mounting plug (13A), black		
927.007	· 2 x UK socket outlets, shuttered, black, set at 90°	

KAPSA; 3-way: Power socket outlets + 1 x custom module Length: approx. 204 mm **C**

Aluminium profile, anodised, power input 2.0 m cable with end sleeves and mounting plug, black		
927.002	· 2 x socket outlets with earthing contact, shuttered, black, set at 35°	
927.005	· 2 x UTE/French socket outlets, shuttered, black, set at 35°	
927.008	· 2 x UK socket outlets, shuttered, black, set at 90° , with mounted mounting plug (13A)	
927.011	· 2 x Swiss / CH T13 socket outlet incl. fuse, black, set at 0°	



! Housing only, cover must be ordered separately

KAPSA covers

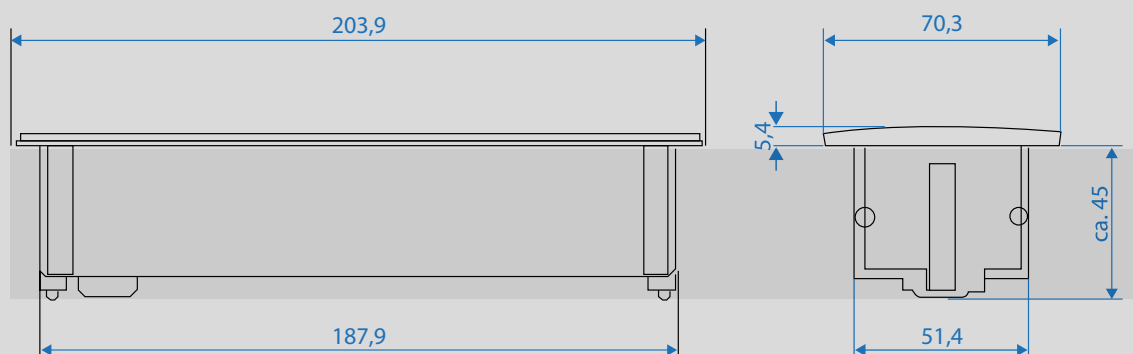
Article no.	Version
KAPSA cover, stainless steel look	
927.100	· Made from aluminium, in stainless steel look
KAPSA cover, black	
927.101	· Made from aluminium, painted black, similar to RAL9005
KAPSA cover, white	
927.102	· Made from aluminium, painted white, similar to RAL9010
KAPSA cover, silver grey	
927.103	· Made from silver grey anodised aluminium, E6/EV1



! Other colour versions available on request

KAPSA
Power strip

A low installation depth of approx. 45 mm and a solid design characterise KAPSA.



Dimensions in mm