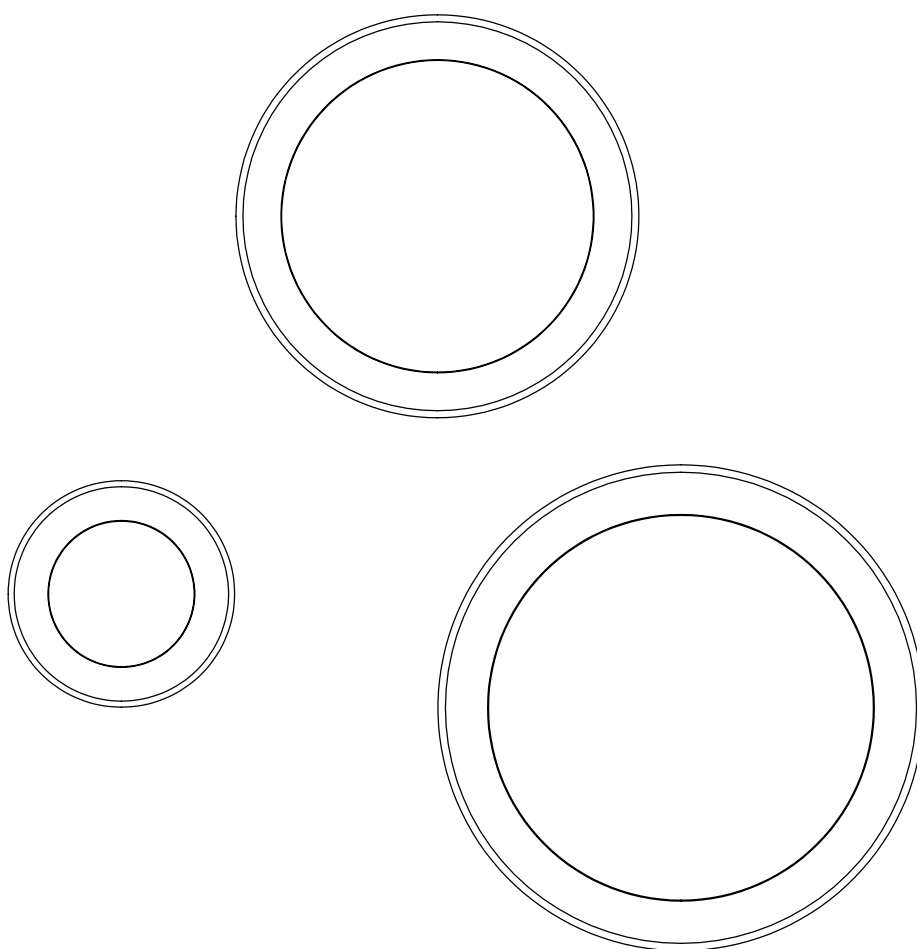
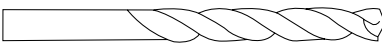
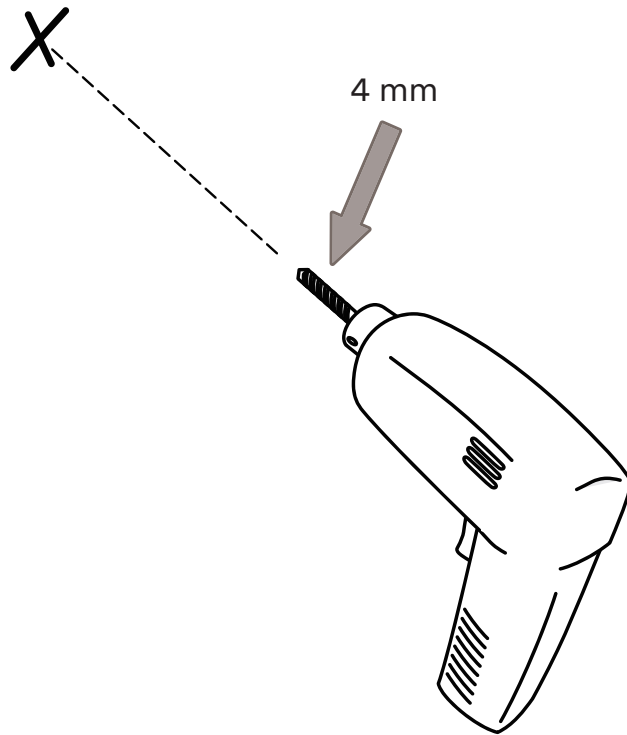


Loop Hook

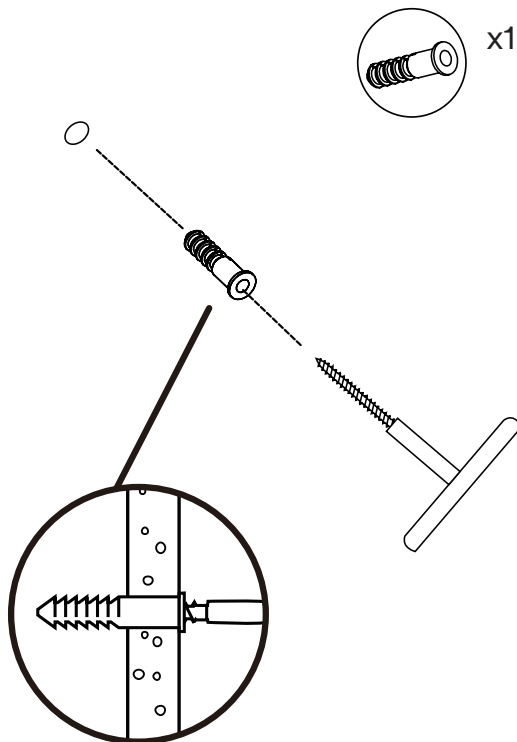
Assembly Instructions



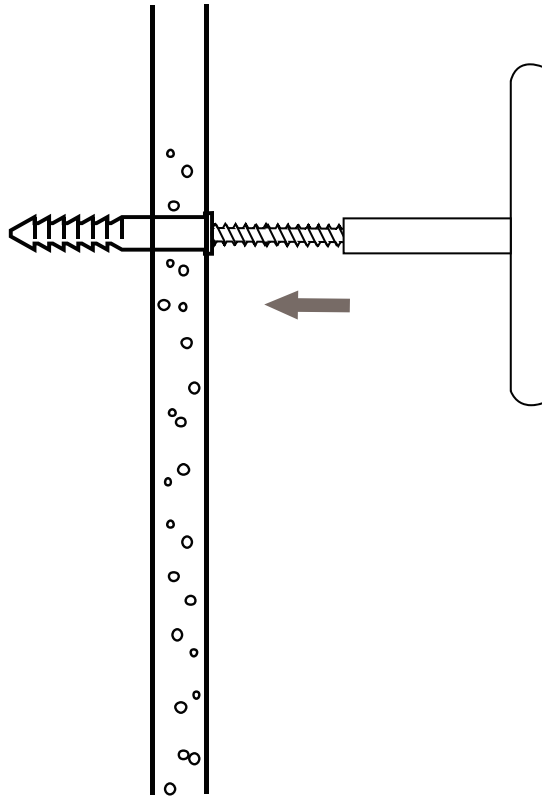
1  Drill size: 1/6" (4mm)



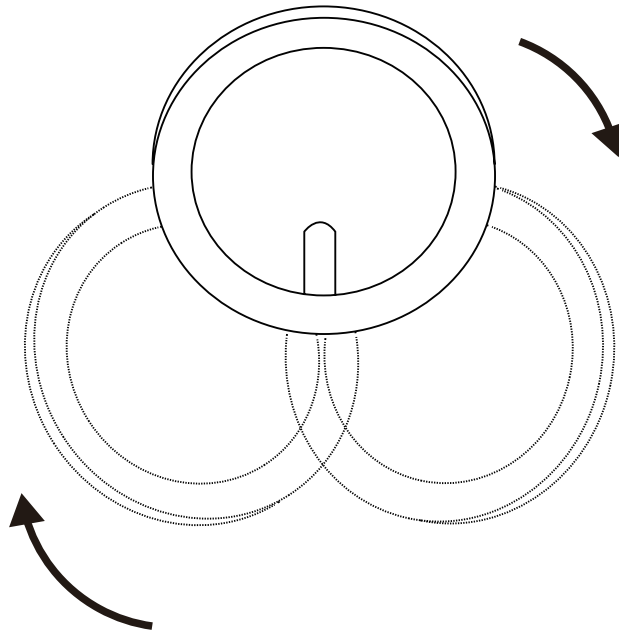
2



3



4



max loadings: 5 kgs.

normann

C O P E N H A G E N