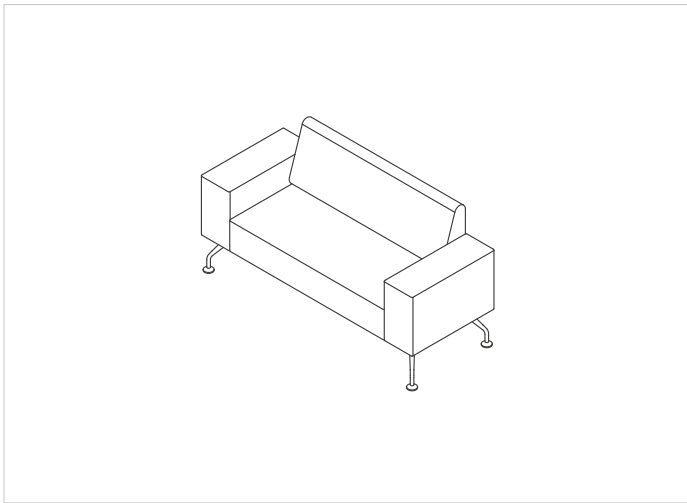
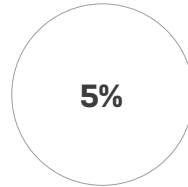


PR02-DB — Environmental Impact

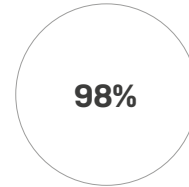


Environmental Data

Based on PR02-DB. Complies with SKA rating.



Recycled Content



Recyclable Content



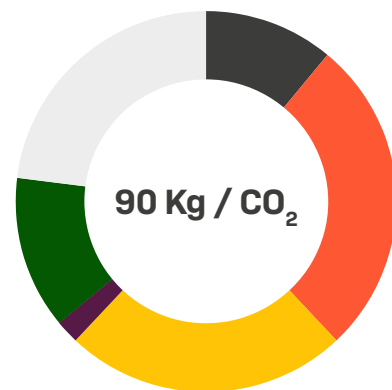
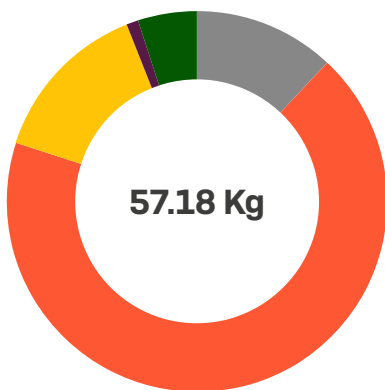
Carbon Footprint

Materials Weight [%]

Materials		%
Steel	●	12
Wood	●	68
Foam	●	14
Plastic	●	1
Fabric	●	5
Total		57.18 Kg

Materials Footprint [%]

Materials		%
Metal	●	3
Wood	●	13
Foam	●	13
Plastic	●	13
Fabric	●	13
Operational Value	●	84
Total		90 Kg / CO₂



Environmental Statement

Orangebox is accredited to the environmental standard ISO 14001: 2015. As a result every care is taken to ensure its operations and products make a positive contribution to the local and global environment.

Intertek Sustainability Clean Air Product Certification

Clean Air certification provides proof that products have been independently tested and found to conform to VOC standards and to the ANSI/ BIFMA Furniture Emissions Standards. All Orangebox products* have achieved Gold certification, excluding laminate products which achieve a Silver certification. *With the exception of Fielding Tables.



Orangebox's Footprints were calculated by FIRA's Carbon Footprinter Tool. The technique of Ecological footprint analysis co-originated in the 1990's by Professor William Rees and Dr Mathis Wackernagel.

