

Mounting

Lamp (Bulb) Description	1 x 250W T-10 Medium Frosted Halogen (Included)
Environment	Indoor - Dry Location
Finish	Plisse Cloth

Technical and Product Description SUPERARCHIMOON floor lamp providing direct and diffused light. Acid etched hand-blown pressed glass internal diffuser. Pleated cloth external diffuser. Sandcast aluminum diffuser support. Gray painted assembly composed of tubular aluminum arms and tie rods, stainless steel spring, and die-cast aluminum joints. Sand-cast aluminum base with six lead counterweights and gray painted spun aluminum base cover. 0-100% dimmer on power cord. Polarized power cord covered with silver fabric. NOTE: This product requires longer delivery time. Please contact Customer Service for details before ordering.

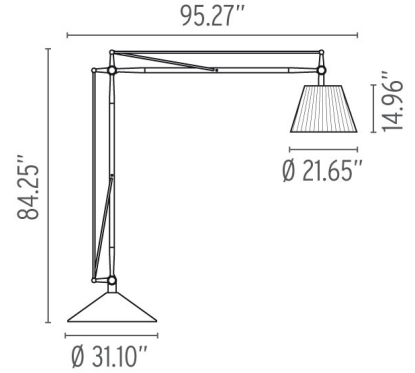
Electrical

Voltage	120
Switching	0-100% dimmer installed on the cord

Physical

Cord Length (inches)	63" - Black
Construction Material	Aluminum and fabric
Weight	315 lbs

Dimensional Image



Lamping (Bulb)



250W T-10 Medium Frosted Halogen

